

VHF/UHF Antenna Installation

Getting Started

Installation kit contents:

- A/B Switch
 - two screws
 - one double-sided tape
- Coaxial cable jumper with F-connectors
- RCA ANT115 Indoor Antenna with instructions

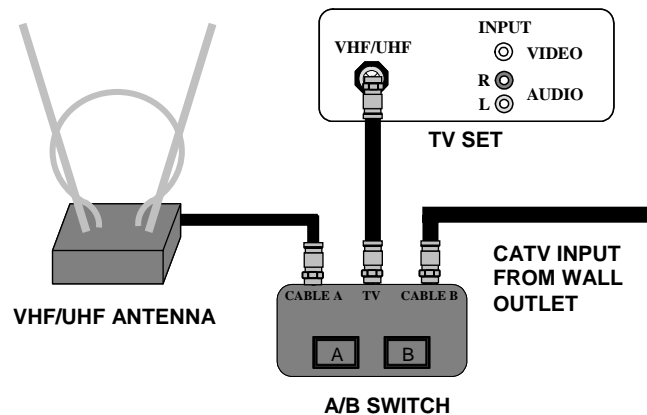
Unpacking and setting up RCA ANT115 Indoor Antenna

1. Remove the RCA ANT115 Indoor Antenna and instructions from package.
2. Install the retractable VHF dipole and UHF loop antenna as shown in Steps 1 and 2.
Note: Do not complete Step 3 listed on RCA ANT115 Indoor Antenna instructions sheet.
3. The A/B Switch can be mounted by using the double sided tape or screws.
4. Choose the most appropriate configuration from following installations **A, B C or D.**

A. Installing TV with one RF input port and no set-top-box

1. Connect the RCA ANT115 coaxial cable F-connector to the A/B Switch “**CABLE A**” port.
2. Disconnect the coaxial cable connected to the TV set “**VHF/UHF**” input RF port (some older sets may be marked with “**Cable or Antenna**”) and connect it to the A/B Switch “**CABLE B**” port.
3. Connect one end of the coaxial cable jumper to the A/B Switch “**TV**” port.
4. Connect other end of the coaxial cable jumper to the TV set “**VHF/UHF**” RF input port.

Caution: All F-connectors must be finger tightened!



Viewing VHF/UHF off-air stations

1. To view VHF/UHF off-air stations press, “A” button on the A/B Switch.
2. Use TV remote control to tune in the desired off-air station.

Note: Before viewing off-air VHF/UHF stations you may need to reset your TV back to the “Antenna” mode and auto program the received channels. (See your TV owner’s manual for instructions.)

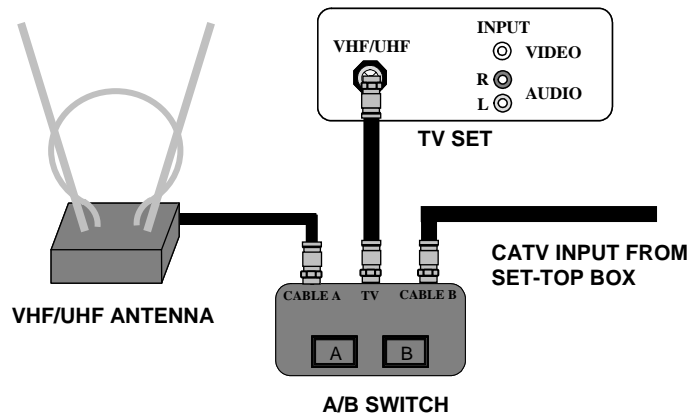
Viewing Mediacom cable channels

1. To view cable channels press, the “B” button on the A/B Switch.
2. Using the TV remote control, auto program cable channels.
3. Use TV remote control to tune in the desired cable channel.

B. Installing TV with one RF input port and set-top box

1. Connect the RCA ANT115 coaxial cable F-connector to the A/B Switch “CABLE A” port.
2. Disconnect the coaxial cable connected to the TV set “VHF/UHF” input RF port (some older sets may be marked with “Cable or Antenna”) and connect it to the A/B Switch “CABLE B” port.
3. Connect one end of the coaxial cable jumper to the A/B Switch “TV” port.
4. Connect other end of the coaxial cable jumper to the TV set “VHF/UHF” RF input port.

Caution: All F-connectors must be finger tightened!



Viewing VHF/UHF off-air stations

1. To view VHF/UHF off-air stations press, “A” button on the A/B Switch.
2. Use TV remote control to tune in the desired off-air station.

Note: Before viewing off-air VHF/UHF stations you may need to reset your TV back to the “Antenna” mode and auto program the received channels. (See your TV owner’s manual for instructions.)

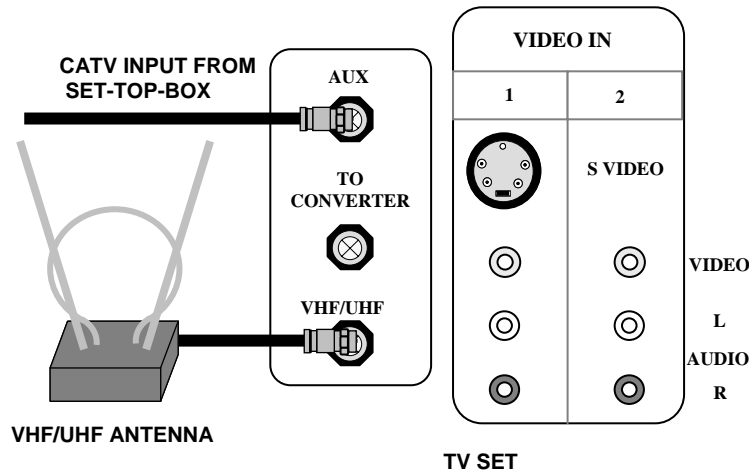
Viewing Mediacom cable channels

1. To view cable channels, press the “**B**” button on the A/B Switch.
2. Tune TV channel to 3 (some areas use channel 4).
3. Use TV remote control to tune in the desired cable channel.

C. Installing TV with multiple RF input ports and set-top-box

1. If coaxial cable from set-top box is connected to the “**VHF/UHF**” RF input on the TV, unscrew and move to “**AUX**” RF input port. Tune TV channel to 3 (some areas use channel 4). *If video and audio cables are used to connect the set-top box to the TV, leave cables in place, skip this step and go to step 2.*
2. Connect the RCA ANT115 Indoor Antenna coaxial connector to the **VHF/UHF** RF input of your TV set.

Caution: All F-connectors must be finger tightened!



Viewing VHF/UHF off-air stations

1. To view VHF/UHF off-air stations, use the TV remote control’s “**AUX/ANTENNA**” button to select and set TV to “**VHF/UHF**” mode.
2. Use the TV remote control to select the desired off-air station.

Note: Before viewing off-air VHF/UHF stations you may need to auto program the received channels. (See your TV owner’s manual for instructions.)

Viewing Mediacom cable channels

1. To view cable channels, press the “**AUX/ANTENNA**” button on your TV remote control and change input to the “**AUX**” mode.

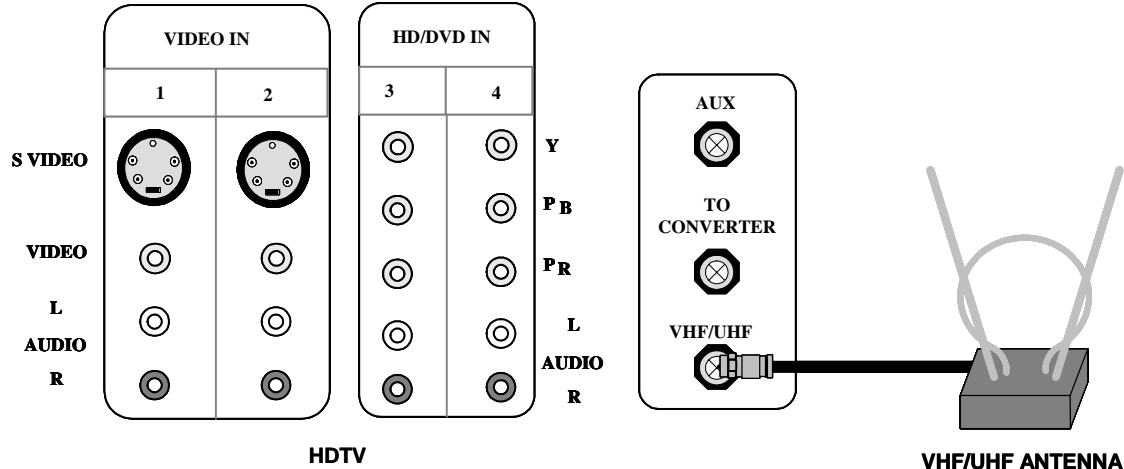
*Note: If video and audio cables are used to connect the set-top box to the TV, change to “**INPUT 1 or 2**” mode.*

2. Tune TV channel to 3 (some areas use channel 4).

D. Installing High Definition TV (HDTV) and set-top box

Connect the RCA ANT115 Indoor Antenna coaxial connector to the “VHF/UHF” RF input.

Caution: All F-connectors must be finger tightened!



Viewing VHF/UHF off-air stations

1. To view VHF/UHF off-air stations use the TV remote control’s “**TV/VIDEO**” button to select and set TV to “**VHF/UHF**” mode.
2. Use the TV remote control to select the desired off-air station.

Note: Before viewing off-air VHF/UHF stations you may need to auto program the received channels. (See your TV owner’s manual for instructions.)

Viewing Mediacom cable channel

To view cable channels, press the “**TV/VIDEO**” button on your TV remote control and select “**Component/COMP**” mode.

Sinclair Broadcast TV Stations

Alabama / Florida / Georgia

Birmingham, AL – WDBB Channel 12
Pensacola, FL – WEAR Channel 3
Pensacola, FL – WFGX Channel 35
Tallahassee, FL – WTWC Channel 40

Illinois

Bloomington, IL – WYZZ Channel 43
Springfield, IL – WICS Channel 20
Champaign, IL – WICD Channel 15

Iowa

Des Moines, IA – KDSM Channel 17
Cedar Rapids, IA – KGAN Channel 2

Wisconsin

Madison, WI – WMSN Channel 47
Milwaukee, WI – WCGV Channel 24

Minnesota

St. Paul, MN – KMWB Channel 23

North Carolina/South Carolina/Virginia

Asheville, NC – WLOS Channel 13
Greenville, SC – WBSC Channel 40
Norfolk, VA – WTVZ Channel 33

Kentucky / Missouri / Tennessee

Lexington, KY – WDKY Channel 56
Cape Girardeau, MO – KBSI Channel 23
Cape Girardeau, MO – WDKA Channel 49
St. Louis, MO – KDNL Channel 30
Nashville, TN – WZTV Channel 17
Nashville, TN – WUXP Channel 30
Nashville, TN – WNAB Channel 58